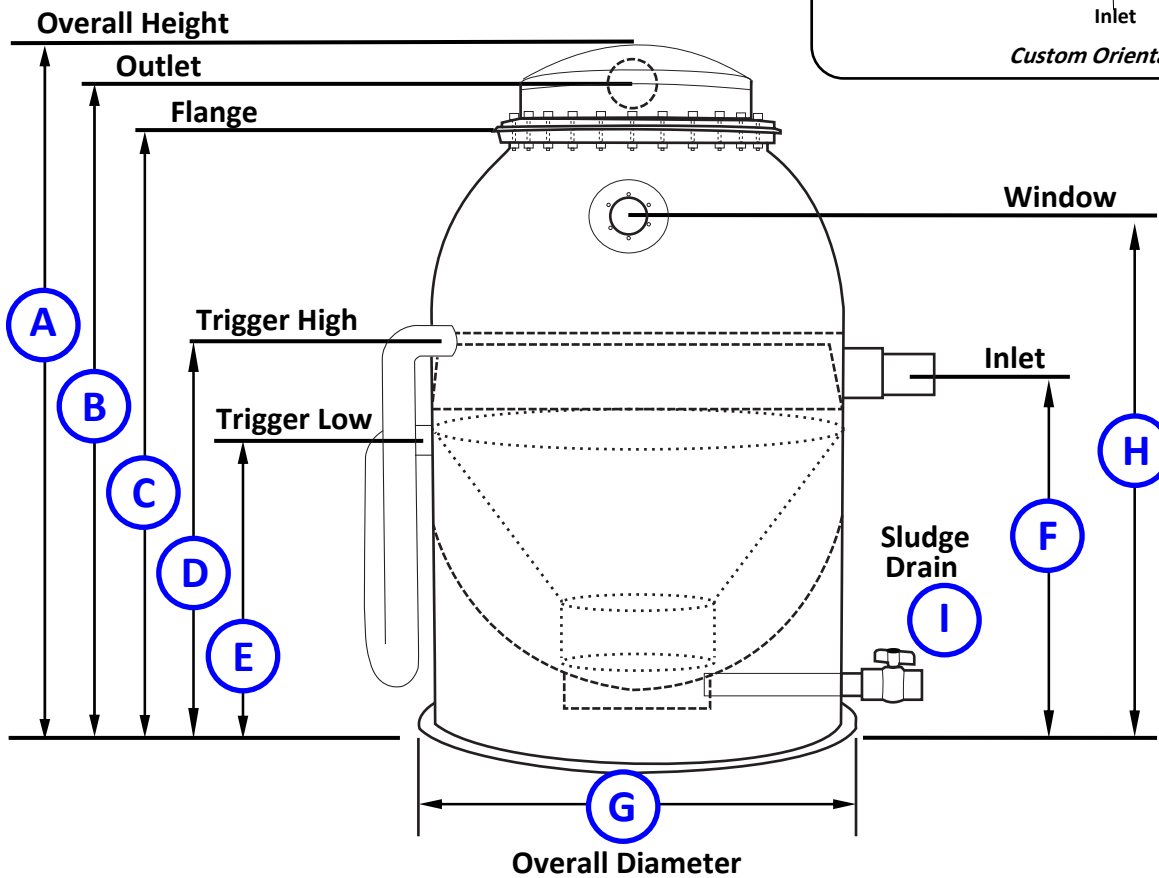
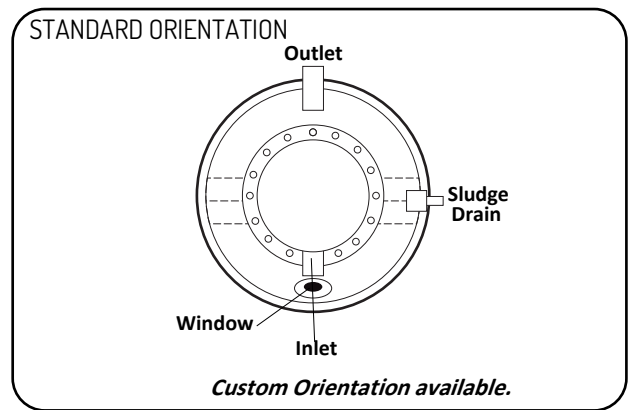


# HPPG-10 SPECIFICATIONS

An air flow rotameter (backwash frequency control) is required to regulate the air flow from the air pump. The air injected into the system regulates the backwash frequency. Sludge is manually drained periodically, minimizing water loss.



A	84"
B	82"
C	75.5"
D	44"
E	28.5"
F	51.5"
G	40.25"
H	64"
I	3"

Max Flow Rate	150 gpm
Ft <sup>3</sup> of Media	10
Ft <sup>2</sup> of Surface Area	4000
Inlet Pipe	4" FIPT
Outlet Pipe	(1x) 4" FIPT
Sludge Drain Valve	1.25" FIPT
Max Operating Pressure	20 PSI
Shipping Weight	750 Lbs

*Filter shown for Illustrative Purposes only.*

*Drawing is NOT drawn to scale.*