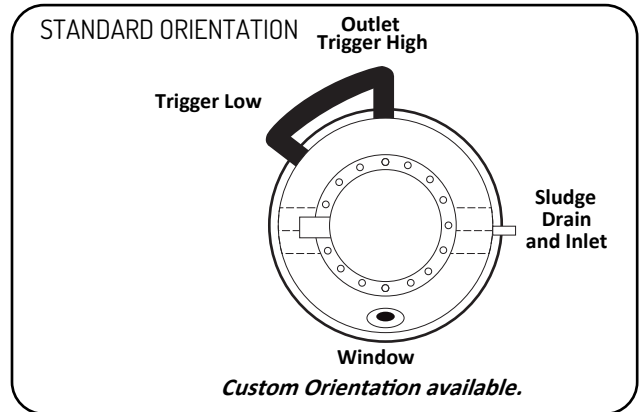
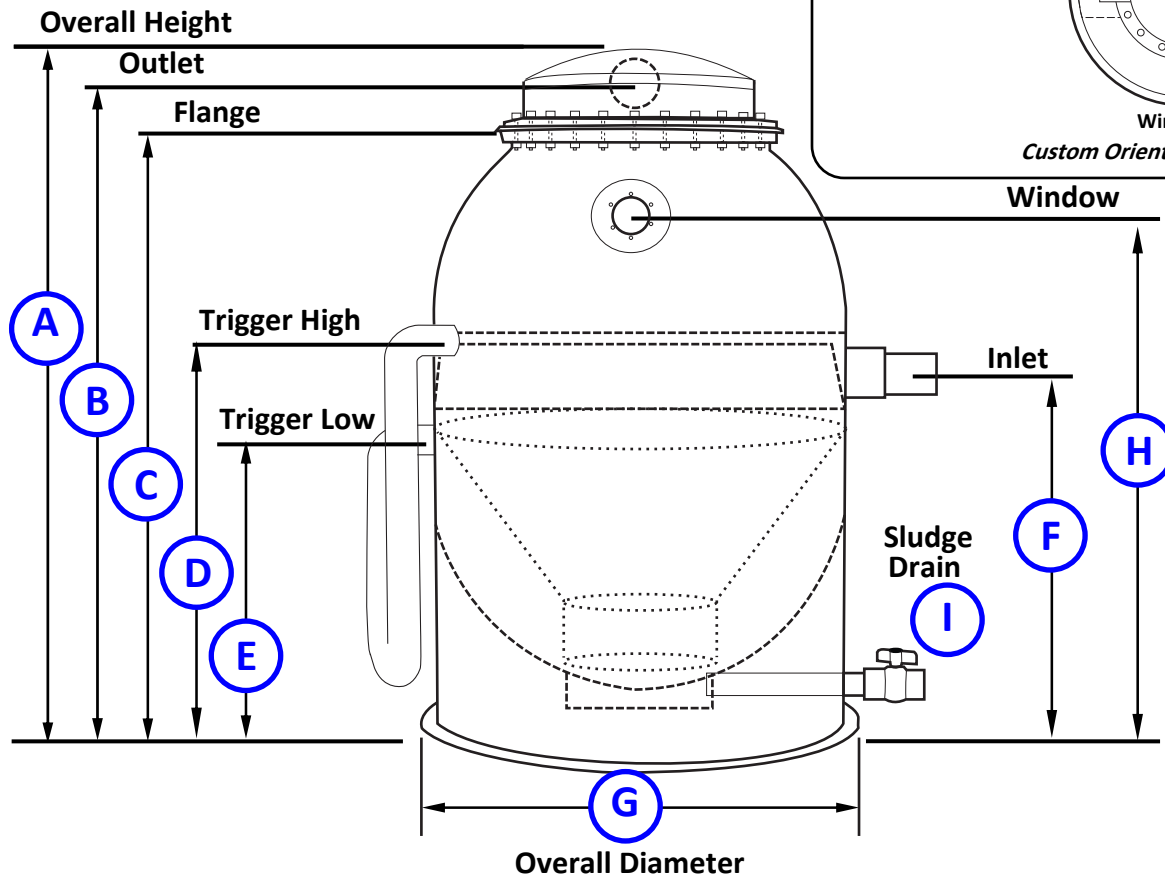


# HPPG-15 SPECIFICATIONS

Suflow rotometer are required to regulate the air flow from the air pump. The air injected into the system regulates the backwash frequency. These suflow kits are included with the purchase of the filter.



A	~84"
B	81"
C	75.5"
D	44"
E	28.5"
F	53"
G	49.5"
H	66"
I	3"

Std. Pump HP :	1 HP
Backwash Air Pump	Compressor pump
Max Flow Rate	150-225 gpm
Ft <sup>3</sup> of Media	15
Ft <sup>2</sup> of Surface Area	6000
Inlet Coupling	4" Fipt
Outlet Pipe	(1x) 4" Fipt
Inlet Valve	4" Fipt
Sludge Drain Valve	1.25" Fipt
Estimated Sludge Water Loss	20-40 gallons
Max Operating Pressure	20 PSI
Shipping Weight	1200 Lbs

*Filter shown for Illustrative Purposes only.*

*Drawing is NOT drawn to scale.*